



WESTMINSTER

INTERNATIONAL LTD

Telephone : +44 (0)1295 756300

Fax : +44 (0)1295 756302

E-Mail : info@wi-ltd.com

Website : www.wi-ltd.com

WG IS6040NM Mobile X-Ray Small Baggage & Parcel Scanner



The WG IS6040NM Mobile X-Ray Small Baggage & Parcel Scanner has been designed for screening Hand Baggage and small parcels.

It has been specifically designed for easy relocation in prisons, ships, banks, courthouses, government facilities and other high security checkpoints where rapid deployment and quick system operation is essential. It has a narrow profile allowing it to be easily relocated through doorways and narrow corridors.

It has a tunnel of 60 cm width and 40 cm (23.6" x 15.7") height and a steel penetration of typically 39mm.

An exclusive standard feature, 6 Colour Imaging enables operators to view screened objects in 6 colours, with each colour correlating to a specific range of Atomic Z-Numbers. 6 Colour Imaging enables operators to achieve optimal material identification and improve throughput with more effective screening technology.

Operators can perform a full analysis with the system's sophisticated screening filters, allowing them to reliably identify threats while ensuring high throughput at even the busiest checkpoints.

Featuring the best in compact checkpoint security, providing high-quality images and greater protection for mailrooms, hotels, and other sites requiring advanced threat detection.

All Westminster X-Ray Systems are equipped with Real-Time Diagnostics, a unique feature which allows users to monitor their machine health status to save you valuable time and money. If requested, Westminster will also be able to connect to your system and troubleshoot any issues remotely.

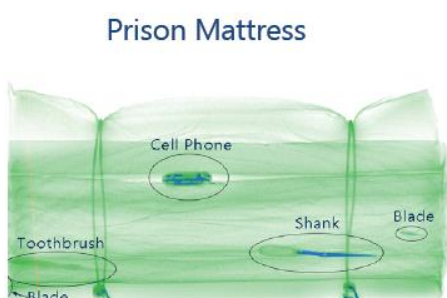
It has large heavy-duty wheels, stainless steel handlebars and a lockable operator control panel which folds seamlessly into the system when not in use.

All Westminster X-Ray Systems are equipped with Real-Time Diagnostics, a unique feature which allows users to monitor their machine health status to save you valuable time and money. If requested, Westminster will also be able to connect to your system and troubleshoot any issues remotely.

STANDARD FEATURES

- 6 Colour Imaging
- 9 Quadrant Zoom
- Atomic Z-Number Measurement
- Auto Image Archiving (150,000)
- Baggage Counter
- Colour and Black/ White Imaging
- Continuous Scanning
- Continuous Zoom up to 64x
- Geometric Image Distortion Correction
- Heavy Duty Roller Casters
- High Penetration Function
- Image Annotation
- Image Review
- JPEG Conversion
- Material Discrimination
- Multi-Tier Accessibility
- Network Ready
- Operator Training Program (OTP)
- Organic/ Inorganic Imaging
- Picture Perfect
- Print Image Capable
- Pseudo Colour
- Real-Time Image Manipulation
- Real-Time Self Diagnostics
- Reverse Monochrome
- Save Image (RGB)
- Vertical Zoom Panning

TEST IMAGE SCANS



OPTIONAL FEATURES

- 24" LCD Monitor
- Custom Paint
- Density Alert
- Dual Monitors (19" or 24" LCD)
- Entry/ Exit Roller Tables (50 cm Increments)
- Foot mat Operator Interlock
- Image Analysis Program - LITE (IAP - LITE)
- Image Analysis Program (IAP)
- Larger Heavy Duty Casters
- Local Language Support
- Polar Kit
- Radiation Meter
- Remote Workstation Configuration
- Screener Assist Software
- Sloped Conveyor
- Test Case
- Threat Image Protection (TIP) Software
- Tropical Kit
- Wireless Barcode Scanning

APPLICATIONS

- Airports
- Banks
- Commercial buildings
- Courthouses
- Embassies
- Government buildings
- Hotels
- Military installations
- Prisons
- Security checkpoints
- Ships

SPECIFICATION

Operational Penetration & Sensitivity

- Contrast Sensitivity: 24 Visible Levels, 4096 Gray Level
- Sensitivity: 40 AWG Typical, 38 AWG Standard
- Spatial Resolution: 1.0 mm Horizontal, 1.0 mm Vertical
- Steel Penetration: 39 mm Typical, 37 mm Standard

Computer

- Backup: Uninterruptible Power Supply (Computer Operation- 20min)
- Memory: 4 GB RAM
- Platform: Windows® OS
- Processor: Intel® Core i5
- Storage: 500 GB HDD, 120 GB SSD
- Video Card: 1 GB Video Card

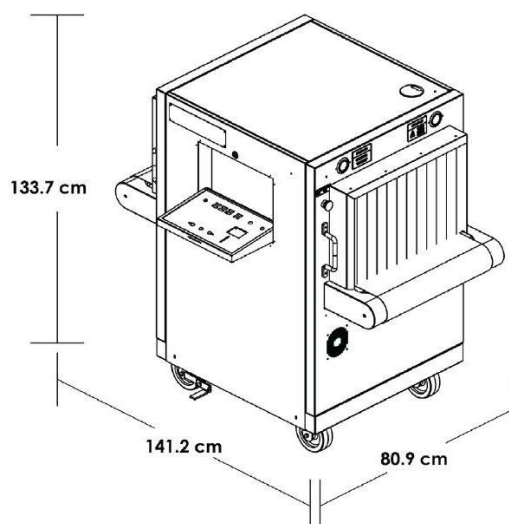
Safety / Standards

- Compliant with USFDA, Centre for Devices and Radiation Health Standards for Cabinet X-Ray Systems (21-CFR 1020.40)
- Typical Radiation leakage is less than 0.1 mR/hr (Leakage less than 0.5 mR/hr permitted by the Federal Standard)
- Film Safety: Guaranteed up to ISO 1600 (33 DIN)

Shipping Crated

Crated dimensions: L158.8 cm x W96.5 cm x H177.8 cm - L62.5" x W38" x H65"

- Crated weight: 490 kg (1,080 lbs)



SPECIFICATION

X-Ray Generator

- Beam Direction: Diagonally Upward
- Cooling: Sealed Di-Electric Oil Bath with Forced Air
- Detector: 1280 Channels in an L-Shaped Array
- Duty Cycle: 100%, No Warm-Up Procedure Required
- Tube Current: 0.7 mA
- Voltage: 160kV, Operating at 150kV

Environment

- Humidity: Up To 95% Non-Condensing
- Operating Temperature: 0°C - 40°C \ 32°F - 104°F
- Storage Temperature: -20°C - 60°C \ -4°F - 140°F

Video Display

- Display Resolution: 1280 x 1024; 24 Bit/Pixel Colour
- Display Type: Single 19" LCD Colour Monitor

Electrical Connection

- 110VAC ±10%, 50/60Hz, 15 Amp Max
- 220VAC ±10%, 50/60Hz, 10 Amp Max

Physical

- Conveyor Capacity: 165 kg (364 lbs) Evenly Distributed Load
- Conveyor Height: 80 cm (31.8") from Floor
- Conveyor Speed: 23 cm/s (45 ft/min) Forward or Reverse
Dimensions: L141.2 cm x W80.9 cm x H133.7 cm - L55.6" x W31.9" x H52.6"
- Net Weight2: 370 kg (820 lbs)
- Tunnel Opening: W60 cm x H40.0 cm
W23.64" x H15.76"